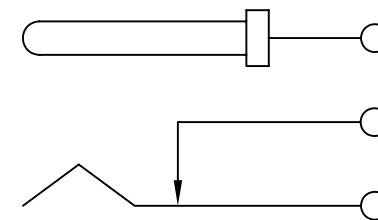
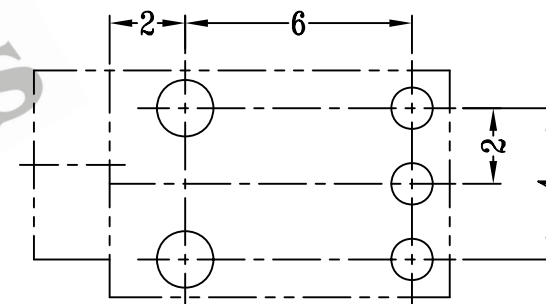
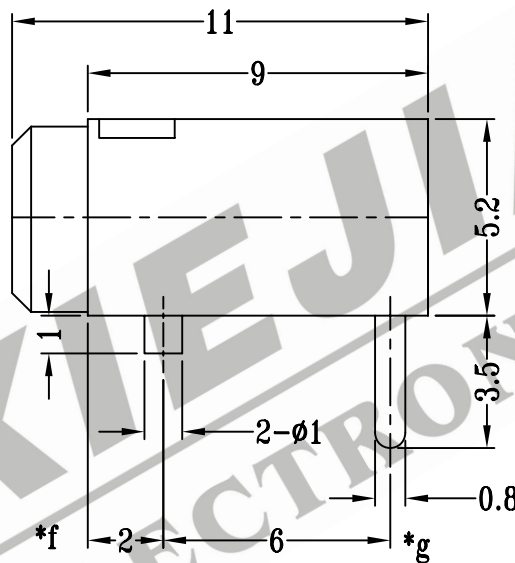
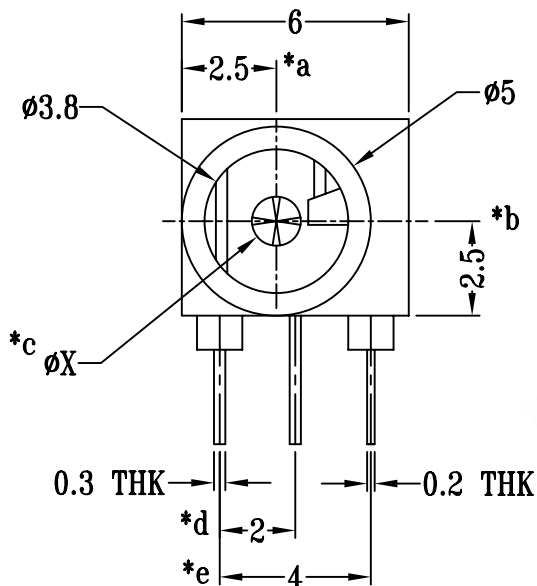


CAD FILE:



SCHMATIC



P.C.B LAYOUT

注：“*”表示关键尺寸（7个）

DIA. OF PIN 'X' E = 1.0 MM
DIA. OF PIN 'X' D = 1.3 MM

8					TOLERANCE UNLESS SPECIFIED	SHENZHEN XIEJIA ELECTRONICS CO.,LTD.				
7										
6					WITHIN: 1.5±0.1mm OVER : 1.5±0.2mm	ISSUE	DATE	DESCRIPTIONS		APPD.
5	TERMINAL	BRASS STRIP	1	Ag PLATED OVER Ni PLATED						
4	CASE	NYLON + F.G	1	BLACK	TITLE : DC POWER JACK	UNIT : MM	DRWG NO.: XJ-DR-DS413-00			
3	PLUG PIN	BRASS STRIP	1	Ag PLATED OVER Ni PLATED						
2	SPRING PLATE	SUS	1	Ag PLATED OVER Ni PLATED	MODEL: DS-413	SCALE: 5 : 1	DWN.	ZHOUYU	2003-12-31	
1	COVER	NYLON + F.G	1	BLACK			CHK'D	FANGYING	2003-12-31	
NO.	PART NAME	MATERIAL	Q'TY	FINISHING	ALL MATERIALS MUST BE COMPLIANT TO ROHS		APPD.	KANGXINAN	2003-12-31	